

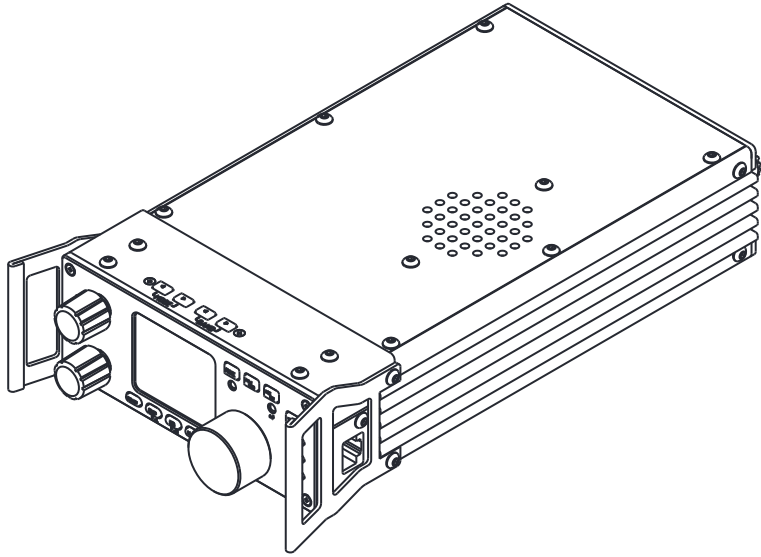


HF Transceiver

G90

Operation manual

Version 4.2.3 July 2022



Ultra-Miniature 24 Bit SDR



Thank You for Shopping at Radioddity!
FIND TUTORIALS, SUPPORT AND MORE



<https://www.radioddity.com/>



<https://www.facebook.com/radioddity>



<https://www.youtube.com/c/Radioddityradio>

FC CE 06780 



About Radioddity

“You, our friend and customer, are at the forefront of what we do.”

Thank you for purchasing a XIEGU product from Radioddity. Through a strong partnership which allows us to bring you the latest technology from the XIEGU brand and on behalf of Customer Support team, we strive to fulfill our promise to better meet your needs every day.

In order to protect your rights please read the terms on XIEGU Warranty Card carefully and know the Warranty Policy.



[Firmware Update
Instructions]



[FAQ]



[Facebook Group]



G90 Feedback Survey: scan to share your suggestions!

We look forward to improving our products based on customer experience, and any ideas would be appreciated!

If you have any suggestions for new XIEGU products, you're welcome to contact us via < support@radioddity.com >.



XPA125B
amplifier



CE-19 data
interface



G90-H1 fan



G90-H2
stand



GSOC
controller

***Information on all of these and other accessories can be found at
www.radioddity.com***



Warnings

1. Please read this manual fully before operation so as to get a good understanding of the G90's capabilities and functions.
2. When using an external mains power supply or battery, carefully check the polarity of the power cord and do not reverse the polarity.
3. The warranty of this radio does not cover damage caused by an incorrect external power connection error or damage caused by improper power supply voltage.
4. Only qualified technicians shall service this equipment.
5. Do not tamper with the transceiver for any reason.
6. Do not operate the transceiver with a damaged antenna. If part of an antenna comes into contact with your skin, a minor burn can result.
7. Turn off your transceiver prior to entering any area with explosive or flammable materials.
8. Do not operate your transceiver in any area near explosive or flammable materials.
9. To avoid electromagnetic interference, please turn off your transceiver in any area where notices instruct you to do so.
10. Turn off your transceiver before boarding an aircraft; any use of a radio must be in accordance with airline regulations and crew instructions.
11. Turn off your transceiver before entering any blasting area.
12. Do not place the transceiver over any airbag deployment area in vehicles containing airbags.
13. Do not expose the transceiver to direct sunlight over a long period of time, nor place it close to any heat source.
14. When transmitting with the transceiver, hold the microphone 3 to 4 centimeters away from your lips and keep a safe distance away from the antenna in accordance with the ICNIRP and any additional local regulations.



We would like to extend sincere gratitude to Radioddity's ham friends -- Bob Nagy (AB5N), Garry F. Decker, S.E.(K9WHF) and Ed Durrant (DD5LP), for their instructive advice and useful suggestions in this G90 English manual.

The G90/S is an amateur radio portable 20W HF transceiver using the latest 24-bit SDR technology. It is a new member of the Xiegu product family and our first portable SDR model in the new G series.

Based on a 24bit-CODEC, the G90/S brings superior transceiver performance and a highly configurable user experience. The detachable head design allows you flexibility to position the radio's main body where needed. The radio includes a built-in high-performance ATU capable of matching a very wide range of antennas.

Features Include:

- High-performance RF front end giving superb selectivity
- Modes provided are USB/LSB/CW/CWR/AM/NFM
- 1.8-inch-high-contrast color TFT LCD display
- $\pm 24\text{k}$ bandwidth spectrum & waterfall displays
- Adjustable DSP band filters (CW mode can be as narrow as 50Hz)
- Built-in CW Decoder
- Detachable head unit
- Built-in Antenna SWR scanner
- Built-in Wide-range automatic antenna tuner

Please read this manual carefully for a better experience and a full understanding of the operation of the G90/S.

The G90S is the version sold in the People's Republic of China, the G90 is the version available in other countries. This operation manual is applicable to both models.

NOTE: As this is a "Software Defined Radio" many things can be changed with a firmware upgrade. New features can be added and the operational processes can be changed. Therefore, it is recommended that you ensure your G-90/S is at the latest firmware level (as of this update of the manual, that was Firmware v1.78 released on December 31st 2021). If the instructions in this manual don't appear to work as expected on your G-90/S it is highly likely that you are at a different firmware version.



Index

Specifications	01
General Parameters	01
Transmitter Parameters	02
Receiver Parameters	02
Accessories & Optional Components	03
Interface Definition	04
Machine Interface – Front Panel	05
Machine Interface – Rear Panel	07
Machine Interface – Head Unit	08
Hand Microphone Buttons	09
Power Source Connection	10
Functions of Buttons	11
Screen Display Icons	13
Operation	15
Selection of Working Frequency Range	16
Operating Mode Selection	17
Volume Adjustment	17
Call Sign Editor	18
Setting Operational Frequency	18
Adjustment of RF Gain and Muting Level	19
Squelch Operation (Prior to Firmware v 1.75)	20



Multi-Function Adjustment Knob	21
Using the SPL and VFOA/B Function	21
Automatic Gain Control (AGC)	22
PRE-AMP/ATT (Combined Control)	23
Pulse Interface Suppressor – Noise Blanker	23
Voice Compression CMP	24
CW (Morse Code) Communication	24
Practice Mode	25
CW Automatic Decoding	25
CW Keyer Settings	25
SSB Communication	26
Voice-Controlled Transmit – VOX	27
Setting Line Level Input into ACC Connector	28
Automatic Antenna Tuner	28
Standing-Wave Scanner SWR	29
Corresponding Location of Keys VS. Screen Labels	29
Fine Tuning of Received Frequency (RIT)	30
Line Input and Output	30
Operation of Line Output	30
Channel Memory Write (MW) and Clear (MC)	31
Transmitter Power Setting	32



Digital (DSP) Filters	33
Spectrum/ Waterfall Display	34
Data Communication	35
Receiving	35
Transmitting	35
Cable Connection Steps	36
Connecting the XPA125B Amplifier to the G90/S (Optional) ..	38
System Menu	39
Menu Item 1: Handle up/down	40
Menu Item 2: Handle F1	40
Menu Item 3: Handle F2	40
Menu Item 4: LCD BL	40
Menu Item 5: AUX IN Volum	41
Menu Item 6: AUX OUT Volum	41
Menu Item 7: RCLK Tune	41
Menu Item 8: Band Stacking Mode	41
Menu Item 9: ON/OFF Beep	41
Menu Item 10: Version	41
Factory Reset	42
Computer Control Instructions	42
Wave Band Voltage Data	45
Firmware Updates	46



Specifications

General Parameters

Frequency range	RX	0.5MHz~30MHz
	TX	1.8~2.0MHz (*1)
		3.5~4.0MHz (*1)
		5.331-5.405MHz (*1 *3)
		7.0~7.3MHz (*1)
		10.1~10.15MHz
		14.0~14.35MHz
		18.068-18.168MHz
		21.0~21.450MHz
		24.89-24.99MHz
		28.0-29.7MHz
Operating modes	USB/LSB/CW/CWR/AM/FM*	
Minimum step	10Hz	
Antenna impedance	50Ω	
Working temperature	0°C ~ +50°C	
Frequency stability	±1.5ppm in the 10~60min after startup @25°C: 1ppm/hour	
Power supply voltage	10.5~16.5VDC, negative ground	
Current consumption	Receive: 700mA@ Max Transmit: 6A@ Max	
Frame size	120*45*210mm (W*H*L) (excluding protrusions)	
Weight	About 1.63kg (for main body)	



Transmitter Parameters

RF output power	20W (SSB/CW/FM/AM)
Spurious suppression	≥50dB
Carrier suppression	≥40dB
Microphone impedance	200Ω ~10kΩ (600Ω in general)

Receiver Parameters

Circuit type	Zero-IF (ZIF) direct conversion SDR		
Neighbor channel suppression	≥60dB		
Sideband suppression	≥60dB		
Sensitivity		SSB/CW	AM
	0.5~1.79999MHz	/	10uV
	1.8~1.99999MHz	0.35uV	10uV
	2.0~27.9999MHz	0.25uV	2uV
	28.0~30.0MHz	0.25uV	2uV

(Measurements made with PRE=on, ATT=off, NB=off, SSB/CW/AM=10dB S/N.)

Mirroring suppression: 70dB

Sideband suppression: 60dB

Audio output: 0.5W (8Ω, ≤10% THD)

Audio output impedance: 4~16Ω

- The specifications above may be changed without notice.
- (*1) The operator is ALWAYS responsible to ensure he/she does not transmit using the radio outside of the amateur allocation (and in the case of an amateur without a full authority licence (i.e. entry level or novice) outside of the allocated frequencies in their licence). Radios that are sold to service the international market may at times have the ability to transmit on frequencies that are not available in some countries or under some licence classes. You as the operator MUST ensure that you do not transmit outside of your authorized frequency range (do not forget about the sideband(s) when operating close to the edge of a band).



- (*2) FM mode was only fully available from version 1.75 of the firmware prior to that firmware version it was only available in conjunction with XIEGU's GSOC controller.
- (*3) The G90/S covers the range needed for the US 60m channels and the WRTC15 ITU band. It does not cover the bottom half of the UK 60m "bandlets".

Accessories & Optional Components

Included accessories

Multi-function hand microphone	1
USB data interface cable	1
DB9 head unit extension cable	1
Detachable head fixing studs	2
Hexagonal wrench	1
DC power cord	1
Warranty card	1
Instruction leaflet	1
Quality assurance certificate	1

Optional accessories

CE-19: host ACC socket adapter (can be used as PC interface to transmit audio signal or to control an XPA125B amplifier)

XPA125B: 100W power amplifier, including an automatic antenna tuner.

GSOC: external, large screen, controller.

G90-H1: Stand with fan

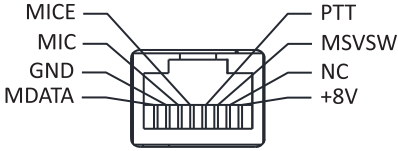
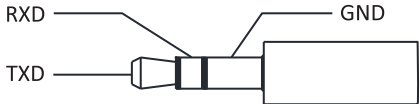
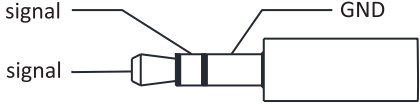
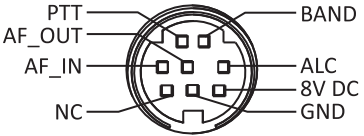
G90-H2: Tilting front support legs

PAX-100: Radioddity HF amplifier.

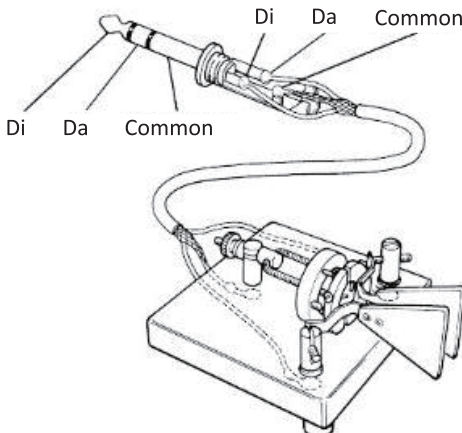
GNR 1: Xiegu Digital Audio Noise Filter Unit.



Interface Definition

Definition of microphone interface	Wiring diagram of COMM plug
 <p>MICE MIC GND MDATA PTT MSVSW NC +8V</p> <p>MIC</p>	 <p>RXD TXD GND</p>
Wiring diagram of earphone plug	
 <p>signal signal GND</p> <p><i>Left and right connections carry monaural audio</i></p>	 <p>PTT AF_OUT AF_IN NC BAND ALC 8V DC GND</p> <p>Rear ACC socket</p>

Wiring of CW keys



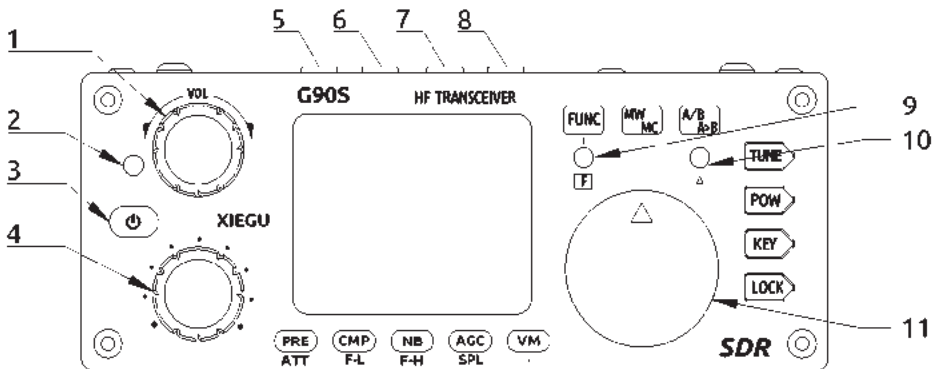
NOTE:

If the connector of the CW key is a 6.5mm 2-wire plug, please change it to a 3-core 3.5mm stereo plug according to the wiring method shown in the figure above.

Be careful when using 2-core to 3-core adapters because incorrect wiring may put the radio into CW transmission mode all the time.



Machine Interface – Front Panel



1 Volume knob

- Turn the knob to increase or decrease the volume.
- A momentary press alternates between headphone/speaker output.

2 Power supply /transceiver indicator light

- Standby /receive state: yellow-green;
- Red indicates the radio is transmitting.

3 Power (on/off) switch

- When powered-off, a momentary press of this button will turn the radio on.
- When powered-on, a long press of this button will shut down the radio. While starting up, a momentary press of the button will turn off the screen to save electricity.

4 Multi-function Adjustment Knob

- By default, turning this knob will change the frequency in 100kHz steps.
- A long press of this knob will select custom action functions.



5-6 MODE switching

- Pressing these buttons will cycle through all the modes.

7-8 BAND switching

- Pressing these buttons will switch up or down through the Amateur bands or the Amateur and SW Broadcast bands (Transmission is only allowed in the HAM bands). (whether the radio switches through the SW Broadcast bands is defined through Function 8 in the System menu).

9 FUNC indicator

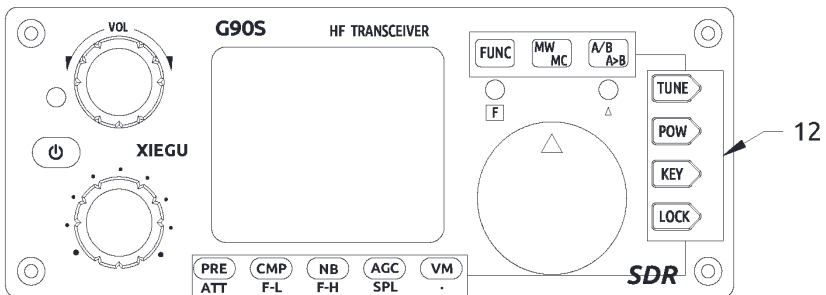
- This LED will light when the second function of a button is activated.

10 Δ F indicator

- This LED blinks when the CW signal is tuned in when in CW mode allowing the CW decoder to work.

11 Main VFO/Mem tuning knob

- Change the current frequency by rotating this knob. When setting menu items this knob changes the parameter's value.

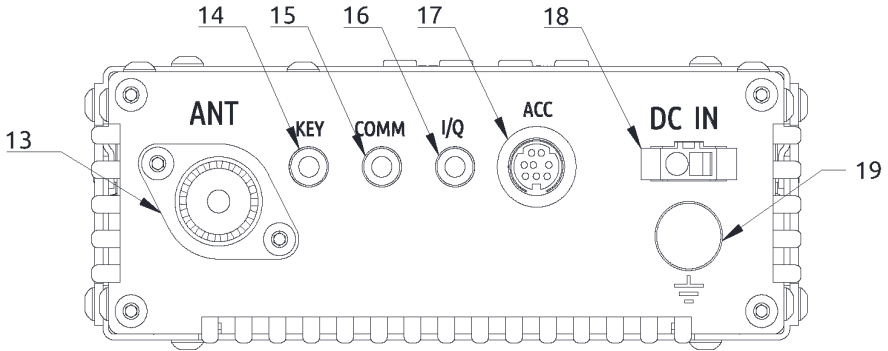


12 Function keys

- The definition and functions of these buttons are detailed in the operation section of this manual (Pages 17-18).



Machine Interface – Rear Panel



13 Antenna interface

- SQ-239 type - impedance 50Ω.

14 KEY interface

- A 3.5mm stereo jack used to connect manual/paddle CW keys.
(See Page 04 for the wiring details)

15 COMM interface

- Only used for updating the radio body's firmware at present.

16 I/Q signal output port

- A 3.5mm connector (3 wires) used for IQ signal output.

17 ACC interface

- See the interface details on page 04.

18 DC power interface

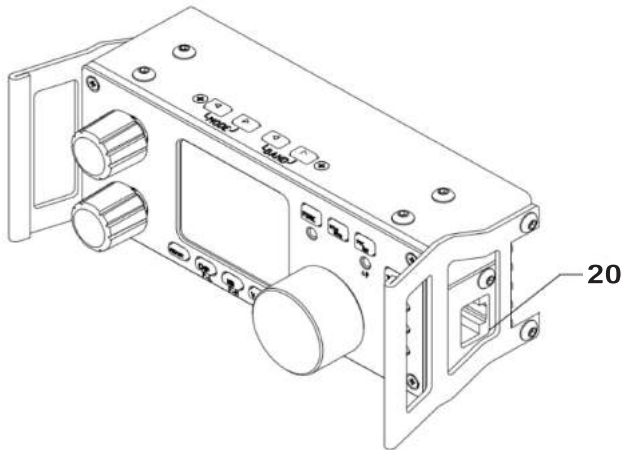
- DC power input (PSU or battery). The round hole is the negative connection and the square hole is the positive connection.



19 Grounding terminal

- Good grounding can improve the receiving and transmitting performance of the G90/S and reduce the possibility of RF ingress.

Machine Interface – Head Unit



20 MIC (microphone) interface (located on the right-hand side)

- Used to connect the included multi-function handheld microphone.

21 Headphone interface (located on the left-hand side)

- This is a 3.5mm stereo connector (3 wires) used to connect earphones. (See Page 04 for the wiring details).

22 Communication interface (located on the left-hand side)

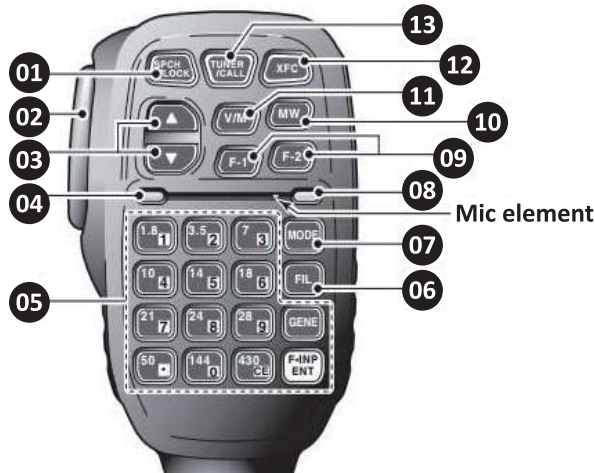
- Used for updating the Firmware of head unit and providing a CAT control interface to your computer.

NOTE (point 22):

1. Insert the supplied 3.5mm to USB cable into this port for data transfer or CAT control mode communications.
2. Do not insert the cable into this port before you start the G90/S up.



Hand Microphone Buttons



01 LOCK button

Lock button

02 PTT button

Press to transmit

03 Up/down

Frequency increase/ decrease button
(user-defined in the system menu)

04 Transmit/receive indicator light

Transmission in progress indicator light

05 Main keypad area

Main keypad area

06 FIL button

Filter selection (no action on DSP filter)

07 MODE button

Selection of the operating mode of the radio

08 Functional indicator light

Lights whenever a key is pressed
on the microphone.

09 Function buttons

F1/F2 buttons (user-defined in
the system menu)
– e.g. preamp / split.

10 MW button

Memory channel operation

11 V/M button

Frequency/memory channel
switch

12 XFC button

No function

13 TUNER button

Momentarily pressing this button
will switch the ATU in or out of
circuit. Pressing in for a longer time
starts automatic antenna tuning.

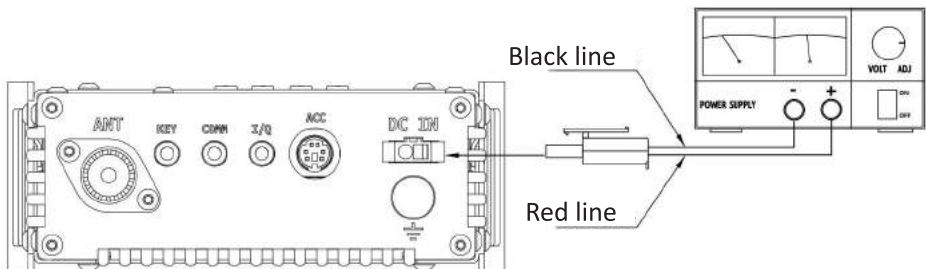


Power Source Connection

Connect your power supply or battery to the DC-IN connector. Current capability of the DC power supply should be at least 8 amps. Batteries should supply 10.5-16.5VDC and have capacity to supply up to 10 amps. Typical current requirements on transmit are generally less than 8A. Use the provided cable to connect the G90/S to your DC supply. The G90/S transmitter is designed in such a way that dropping supply voltage from a weak battery has little effect on the transmitter output power.

The DC power supply must be connected in strict accordance with the following figure to avoid a reverse polarity connection.

- The red wire must be connected with the positive pole of power supply and black wire to the negative pole of the power supply.



- A Ferrite Choke may be attached to the power wires to prevent external RF from entering the radio via its power lines and RF interference from inside the radio from radiating externally via the power cable. When installing a ferrite choke place it closest to the radio end of the DC cable.
- Polarity of power cables should be checked carefully to avoid reverse polarity when connecting your power supply or battery.
- Although the G90/S has reverse polarity protection reverse connection of power should be avoided.



Functions of Buttons

Button	First function (momentary press, cycle)		Second function (FUNC+) (quick press so light comes on)		Long press
PRE/ATT	PRE - ATT - Normal. cycles through these states.		/		/
CMP/F-L	Turn on voice compression		Digital filter F-L, low-pass cut-off frequency selection using the main tuning knob		Reset filter parameters
NB/F-H	NB ON-NB Level-NB Width		Digital filter F-H, high-pass startup frequency selection using the main tuning knob		Reset filter parameters
AGC/SPL	AGC, Fast-Slow-Auto-none		Turn on the pilot frequency transceiver operation mode		RF GAIN
VM	Switch between frequency and channel mode		/		Call Sign Editor
MW/MC	Write channel to memory		Clear channel entry		/
A/B.A>B	Switch between VFO-A and VFO-B		Copy the current VFO freq to background VFO		/
TUNE	Turn on/off the antenna tuner (in-circuit/out-of-circuit)		/		Antenna tuning
POW	POWER	Power output setting	MICGAIN	Hand microphone MIC gain setting	Standing-wave scanner display
	SWR THR	Standing-wave protection threshold setting	INPUT	Audio input selection	
KEY	SPEED	Automatic key rate setting	CW Volume	Side tone volume setting	CW automatic decoder
	M/L/R	Manual/automatic left and right mode switching	CW TONE	Side tone frequency setting	
	MODE	iambic A/B mode switching	/		



Button	First function (momentary press, cycle)		Second function (FUNC+) (quick press so light comes on)		Long press
KEY	QSK	Insert/non-insert selection	/		
	QSK Time	Hang time setting	/		
	Ratio	Setting of the automatic key dot-and-dash interval ratio	/		
LOCK	Lock / Screen brightness		SCALE	Spectrum reference level setting	Lock button
			AVE FFT	Mean value setting, ranged 1~10	
Volume Knob (press)	Loudspeaker / earphone switching		VOX ON/OFF	Voice control switch	/
			VOX GAIN	Voice control gain setting	
			ANTI-VOX	Hand microphone and speaker echo suppression setting	
			VOX DLY	Voice control transmission turnoff delay	
Multi-knob (press)	Filter center mode setting		/		/
	Filter bandwidth mode setting				
Main knob (press)	Accept (save) settings		Open RIT		/

Operation of a button's second function

Press the [FUNC] button - the F indicator LED will illuminate, then press the required function's button.

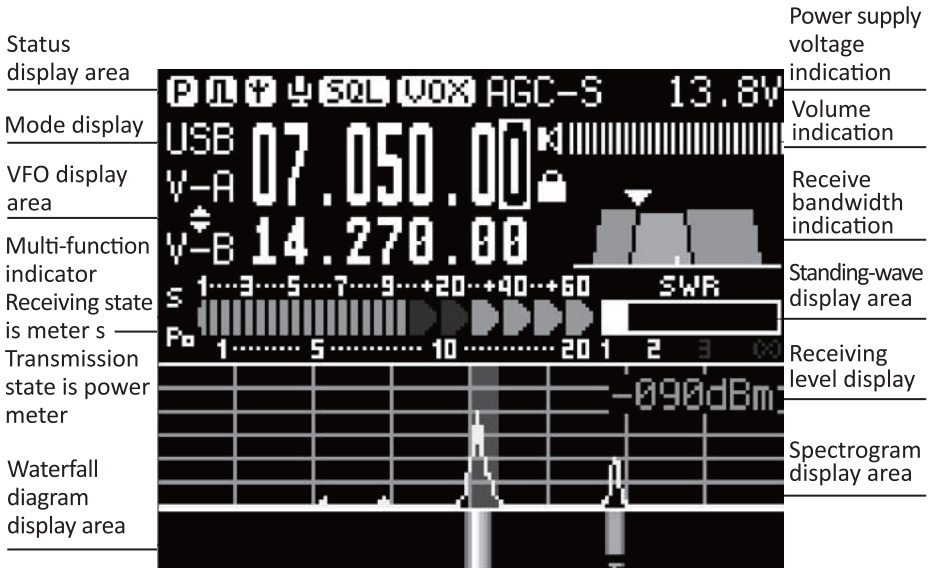


Press the [FUNC] button again to exit the secondary function. At this time, the F indicator LED will go off.

Pressing the [FUNC] button for 1-2 seconds will take you into the System Menu (see later in this manual for details of parameters that can be set).

- In any function (including the secondary FUNC setting) a short press of the main knob will save the setting. This will also exit the function setting mode and return you to the main interface.


Screen Display Icons



Function and definition of display icons


- P** pre-amplifier is ON. The icon character A indicates that the attenuator is in-line. No character indicates Normal mode.
- L** noise blanker is ON.
- F** automatic antenna tuner is in circuit.





 CMP voice compression is active.


 SQL squelch is ON.


 voice triggered TX control function is ON.


 AGC control is set to Slow (alternatively AGC-F, AGC-AUTO, AGC settings may be indicated)


 13.8V supply voltage display.


 Current operating mode in use is USB. (LSB, CW, CW-R and AM modes are alternative values)


 As the split mode symbol is indicated between VFO-A and VFO-B, VFO-A is the current receive frequency and VFO-B is the transmitting frequency. Without the “Split” indicator the text VFO-A and VFO-B indicate the frequencies of the two VFOs.


 SPL split frequency receiving & transmitting mode is active.

 Loudspeaker mode. A short press-in of the volume knob switches between earphone and speaker modes.

 All buttons locked symbol – settings cannot be changed until the buttons are unlocked again.

 While receiving, the received signal strength is indicated by the green/red line and can be read off against the top of figures. When in transmit mode, the same indicator can be read against the bottom line indicating the power being transmitted.

 During transmission the SWR meter displays the standing-wave ratio value of your antenna system.



 This chart Indicates the settings of the DSP receiver filter.

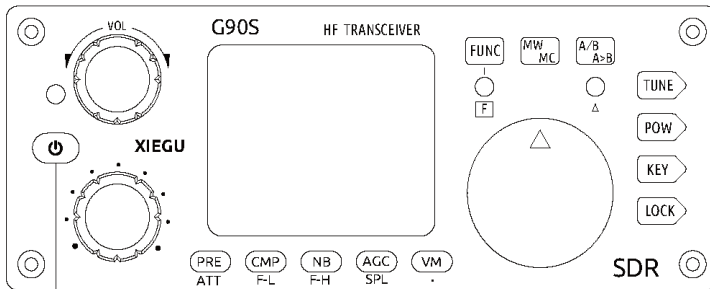


Operation

In order to familiarize yourself with the functions and capabilities of the G90/S portable transceiver, please read the operation guide fully to understand the powerful functions of the G90/S.

Transceiver start and shutdown

1. **To start the transceiver:** press the  button for a short period of time.
2. **To Shut down the transceiver:** press and hold the  button for 1s.



ON/OFF key

To turn off the LCD screen to save power

While turned on, press the power button quickly to turn off the LED display.

- With the screen turned off, the radio still works normally. Pressing any button or turning a knob will turn on the screen again.

Display of Power Voltage

After turning on the radio, the upper right corner of the screen will display the DC voltage of the connected power supply.



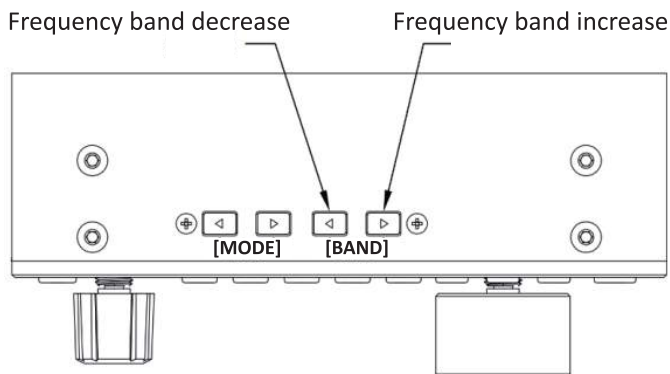
The supply voltage is 13.8V



- Operation above the maximum voltage given in the specifications will seriously damage the radio!
- The displayed voltage may vary $\pm 0.3V$ from the actual value.
The G90/S is uniquely designed such that lower voltages do not result in significantly reduced TX power or RX performance.

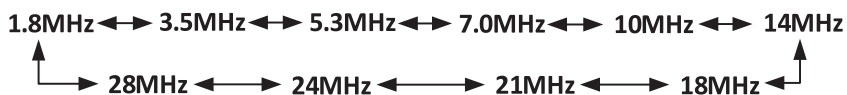
Selection of Working Frequency Range

The G90/S receives 0.5~30MHz but is set to only transmit on the amateur radio bands. The amateur bands are divided into 10 frequency blocks.



Operation methods:

Pressing the [$<$] or [$>$] BAND buttons will cycle through these bands.



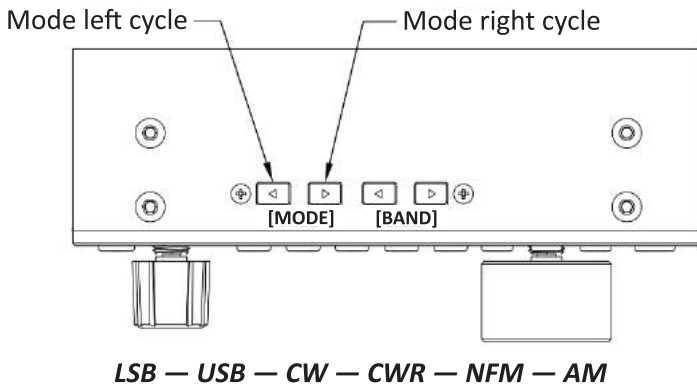
- As well as the amateur bands shown, SW broadcast bands can be added in the sequence through system menu option 8 “Band Stacking”. This allows quicker selection of the broadcast bands to listen to them. Transmission mode is only available on the Amateur bands.
- The 60m frequency range set is 5.330.5-5.405MHz and includes the the ITU WRC15 band of 5351.5 kHz to 5366.5 kHz plus the US channel frequencies. Should you require other channels or bandlets for example for operation in the UK, please contact your dealer so that he can program these in the unit for you.



- Frequency ranges for other bands can be dealer pre-set prior to sale in accordance to the regulations of the country (or region) of sale.
- VFO-A and VFO-B are two independent VFOs that can be set to different operating bands. See [VFO Settings] for details.

Operating Mode Selection

Press the [MODE] button to switch through all transmission modes:



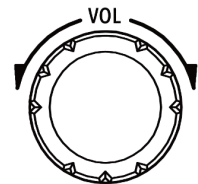
Volume Adjustment

Speaker mode:

Turn the volume knob to the left or right to adjust the output volume.

Headphone mode:

1. A short press of the volume knob switches to the headphone output mode.
2. Turn the volume knob to the left or right to adjust the headphone volume.



Volume knob

Please turn the volume to the minimum setting before using earphones so as to protect your ears. Gradually increase the volume to be appropriate as required after the earphones are inserted.



Call Sign Editor

This G90/S can set your call sign to be displayed on the startup screen.

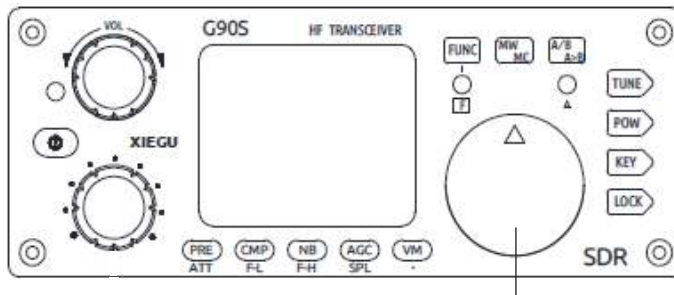
1. Apply a long press to the [VM] button to enter the text editor.
2. The bottom of the screen is the character selection area. Rotate the main tuning knob to select the desired character. Press the main tuning knob in to select the character;
3. Press the [NB] button (underneath BACK on the screen) to delete the last character; press the [VM] button (underneath QUIT on the screen) to exit the editor interface; press the [PRE] button (underneath SAVE on the screen) to save and exit the editor interface.

These LCD screen labels will be close to, but not exactly aligned with the buttons below the screen.

4. When the radio is re-started, your callsign will be displayed on the screen.

Setting Operational Frequency

There are three methods to set the frequency of G90/S. You may use the large main knob, the multi-function knob or the keypad buttons on the hand microphone.



Main knob

1. Set frequency by using main knob

Momentarily press the main knob to select 100Hz, 1kHz, 10kHz or 100kHz steps. Rotate the main knob to set the frequency required using the currently selected step.



2. Set frequency by using the multi-function hand microphone

Press the white [F-INP ENT] button on the hand microphone. The G90/S will now be in frequency setting mode. The cursor will be blinking in the first column on the left of frequency display.

Input the desired frequency values number by number and then press [F-INP ENT] again to complete setting the frequency.

For example, press the keys in the following sequence to set current frequency to 14.09000MHz:

1. Press [F-INP ENT] key first;
2. Press the number keys 1 by 1;
3. Press [F-INP ENT] button again to complete the action.

3. Quick adjustment of the frequency with the multi-function knob

The Multi-function Adjustment Knob of the G90/S provides a method to quickly tune across the band. The function knob's default function and increment is 100khz. Hop from the CW to the SSB areas of the band in seconds.

NOTE: This only works if the multi-function knob is set to change frequency. If its function has been changed (e.g. to SQL level) you will not be able to tune using the multi-function knob.

Adjustment of RF Gain and Muting Level

Proper RF gain adjustment can improve the quality of a received signal. In general, reducing the RF gain level on the low bands (40/60/80/160m) which have strong interference can significantly improve receive quality.

In general, with SDR rigs, operating at full RF gain is detrimental to receive signal quality. Experiment with levels to find what is best for you.

How to adjust the RF gain:

1. Apply a long press on the [AGC] button at the bottom of the screen to enable the setting of RFGAIN.
2. Rotate the main tuning knob to adjust the RF gain value.
3. After setting your RF gain level, press the main knob inwards momentarily to exit the RF gain setting mode.



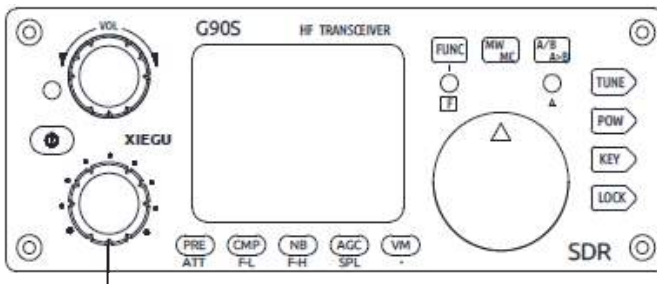
SQL setting

You set the squelch level when you want to mute static in between transmissions normally used on AM or FM modes but will work on all phone modes.

Squelch Operation (Prior to Firmware v 1.75)

1. Apply a long press on the [Multi-function Adjustment Knob] to enter the user defined function menu. Rotate the main knob to select the SQL Level option.
2. Rotate the [Multi-function Adjustment Knob] to set the squelch muting level. At the same time, the muting level will show on the S meter.
3. Momentarily press the button below the SAVE label at the bottom of the screen to select and exit.

The muting strength gradually increases from S1 ~S9, corresponding to signal strength. For example, when the muting level is set to be S3. it indicates that the speaker will only let sound through when the signal strength is more than S3. Otherwise, the speaker will remain silent.



Multi-function adjustment knob



Multi-Function Adjustment Knob (From F/W Version 1.75 onwards)

The multi-function knob has several functions than can be customized.

- By default turning the knob will tune the radio in 100kHz frequency steps. (this is the most common use)
- However, a momentary press of the knob allows adjustment of the receiving filter.
- Giving the Multi-Function knob a longer press, enters the user defined functions menu.

Once in the user defined functions menu turn either the multi-function knob or the main tuning dial to go to one of the following functions:

1	Freq 100k	Frequency stepping value
2	SQL Level	Muting level setting
3	Po Level	Transmitter output power
4	Key Speed	Automatic keyer rate
5	FFT Scale	Spectrum reference level

When you are on the function you want to adjust e.g. squelch, momentarily press the multi-function knob in again. This will take you back to the normal operating screen. As soon as the receive screen is displayed rotate the multi-function knob and where the bandwidth icon is normally displayed on the screen, the available values for the selected function available will be displayed as you turn the knob. When you have the value displayed that you wish to have, momentarily press the multi-function knob again to keep the value.

NOTE: If you wait too long you will be put into DSP filter adjustment mode. If this happens, start again.

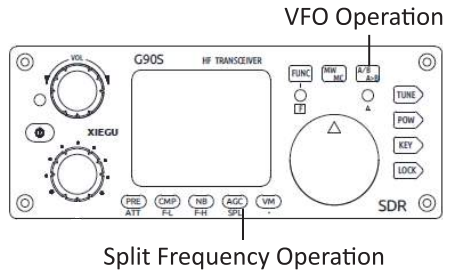
Reception and Transmission Operations Using the SPL and VFOA/B.

The G90/S transceiver has two built-in, independent, VFOs which can be set to different frequencies and different modes. Using the SPL (split) function, you can transmit and receive on different frequencies.



VFO setting:

1. Momentarily press the [A/B / A>B] button to switch between VFO-A and VFO-B;
2. Set the required VFO frequency and mode when on one VFO (A or B).



Split Operation (SPL)

1. Set the required receive frequency and mode on VFO-A first;
2. Then set the transmitting frequency and mode on VFO-B;
3. Press the function button, then the [AGC/SPL] button to turn on the SPL (split) function. The double-triangular icon will display between VFO-A and VFO-B on the VFO area of the screen.

As well as using them for split mode VFOA/B can simply be used to set two different simplex frequencies and modes so you can quickly switch between the two in real time.

Automatic Gain Control (AGC)

Select the appropriate AGC time constant for the best receiving experience:

1. Momentarily press the AGC button at the bottom of the screen to cycle through the three AGC selections:

AGC-S → AGC-F → AGC-A → AGC--

AGC-S	Slow AGC control	Recommended settings	AM mode: AGC-S
AGC-F	Fast AGC control		CW AGC-F
AGCA	Automatic AGC control		SSB: AGC-S
AGC	AGC OFF See below		

2. When the AGC-A mode is selected, the radio will automatically select the appropriate AGC control parameter depending upon the current mode.
As of firmware version 1.73 with the AGC disabled, the receiver will have its RF gain automatically set to 25% so that noise received is not significantly increased.

**NOTE:**

You should experiment with the AGC Off mode only if the received signal is not changing in strength due to fading (QSB). You must manually control the RF gain level so that you do not have distortion from the incoming signal overloading the receiver. Set AGC to “off”, then go into the RF gain setting (Hold the AGC button in for 2 seconds) then adjust the main knob until the signal sounds clear. This can result in a nice improvement of signal quality under good receiving conditions, especially for weak signals!

PRE-AMP/ATT (Combined Control)

The pre-amplifier can improve reception of some weak signals in the higher frequency bands. These are normally the bands above 20 meters.

1. Press the [PRE] button at the bottom of the screen momentarily and the character P will appear on the top left corner of the screen indicating that the pre-amplifier is turned on.
 2. Press the [PRE] button again and the character A will appear on the top left corner of the screen, indicating that the attenuator is turned on.
 3. Press the [PRE] button again and no character will appear on the top left corner of the screen, indicating that neither preamp nor attenuator are engaged.
- The receiver is sensitive enough that under 18mhz, no improvement of the signal to noise ratio will occur with use of the pre-amp. To maintain the best reception performance, limit use of the pre-amp to bands above 20 meters.
 - When the S meter displays that the received signals exceeds S9+20dB, turning on the attenuator is recommended to provide better reception.

Pulse Interface Suppressor – Noise Blanker

Pulse interference suppression can effectively eliminate some kinds of pulse noise, especially interference caused by automobile ignition systems.

1. Press the [NB] button at the bottom of the screen momentarily to enter the NB function setting - and a corresponding menu will display on the screen where the DSP filter graphic normally is.



2. Repeated momentary presses of the [NB] button will select the different NB function setting options. Rotate the main tuning knob to set these values.

The NB function menu includes the following options:

NBSW: NB operation switch ON/OFF. Default is OFF

NB Level: setting of NB suppression level.

NB Width: setting of NB suppression width

- Adjust the Level and Width while listening to the noise you want to suppress for best effect.
- Improper settings of the NB parameters will severely degrade reception.

Do not turn the NB on unless you need to suppress pulse noise.

Voice Compression CMP

Voice compression can increase the average TX power output during phone communication so that communications are possible under poor conditions.

1. Press the [CMP] button at the bottom of the screen in momentarily and the voice compression indicator (a microphone) will appear at the top of the screen.
2. Press the [CMP] button at the bottom of the screen again to disable voice compression.

Use voice compression only when you need it, as all compression degrades transmitted audio quality slightly. When conditions are good, leave it off.

CW (Morse Code) Communication

You may use a CW key or an external keying unit. Insert the connector into the KEY port on the rear of the radio. (See Page 04 for the definition of the required plug wiring)

1. Insert CW Key/Keyer into the KEY socket on the rear of the main unit;
2. Press the [MODE] button to switch to CW (or CWR) mode;
3. Enable the QSK function by pressing the [KEY] button until the function appears, also set the appropriate QSK time;
4. The radio will key into transmit when the key is pressed.



Practice Mode

You can use the G90/S as a CW code trainer using the following method:

Disable the QSK function for the [KEY] function. Only the CW sidetone of the transceiver will be heard when using the CW key. Signals will not be transmitted.

CW Automatic Decoding

A long press of the [KEY] button enables CW automatic decoding. Rotate the main tuning knob to fine tune the received signal until the indicator light A flashes in time with the code. Decoded CW text will appear at the bottom of the screen.

Since the accuracy of the automatic decoding of Morse code is related to the received station's CW accuracy, received signal quality, and frequency accuracy of the other radio, Auto CW decoding is only an addition to using your own ears for decoding. It can also be useful when learning Morse code.

When using automatic CW decoding, for best results, the bandwidth of the receiving filter should be set to 300Hz. Also, adjust the keyer speed on the G90/S to approximately the speed of the incoming CW for the best decoding results. The G90/S's CW decoder is capable of excellent performance when adjusted correctly.

CW Keyer Settings

The [KEY] button function has settings required for normal CW communications. Press the key in momentarily to select, in turn:

SPEED: automatic key rate setting

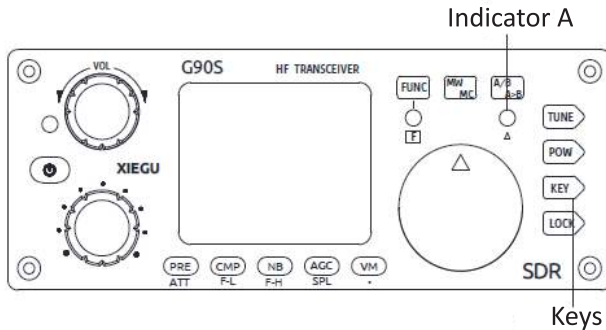
M/L/R: settings of manual/ automatic left- and right-hand modes

MODE: Iambic A/B mode setting

QSK switch: turn QSK on or off

QSK Time: QSK time setting

Ratio: set the automatic key dot-and-dash interval ratio



To enter the second function of the [KEY] button press [FUNC] button and then [KEY] to select and set the following options. Once adjusted using the main tuning knob, press the KEY button again to exits the settings process.

Options:

CW Volume: sidetone volume setting

T800Hz: sidetone tone frequency setting

B500: CW receiving bandwidth setting (the default value is 500Hz)
– set to 300 if using the automatic CW decoder function.

SSB Communication

Plug the lead from the hand microphone into the MIC port on the right-hand side of the head unit. After inserting, the green indicator light on the hand microphone will light.

1. Press the [MODE] button (< or >) on the top of the head unit to switch between LSB and USB mode.
2. Use the second function (after [FUNC] button has been pressed) of the [POW] button for the following settings:
 - 1) MIC GAIN: set the level of the hand microphone audio
 - 2) INPUT: select where the audio input comes from (the default is MIC and this is required during voice communications).
3. A momentary press of the [POW] button allows you to set the output power level:
 - 1) POWER: Set the required PEP output level (range is 1W - 20 W).



- 2) SWR THR: set the standing-wave-ratio protection threshold (default is 3:1). If the radio sees an SWR over this value it will reduce power to protect itself.
4. After you have set the parameters above you are ready for SSB communications.
 - The default hand microphone voice gain value is appropriate in most cases. Watch the spectral display when transmitting and if you see extra lines above and below the main audio trace, reduce the mic gain or move away from the microphone until they disappear. Normally a setting of 10 is a good place to start. You should see the TX power readings peak at the level you set. The average meter indication will be lower. This is normal.

Voice-Controlled Transmit - VOX

The voice-controlled transmission (VOX) feature can automatically judge whether there is a hand microphone connected or if audio is coming from the line input signal (on the ACC socket). It will automatically control the radio switching between the receive and transmit when audio is detected. When the VOX function is activated, it is unnecessary to press the hand microphone PTT key to start the transmission.

After pressing the [FUNC] button to activate the secondary functions of all buttons, press the volume knob IN and you will enter the VOX function settings. Rotate the main tuning knob to change values. Press the VOL knob in again to go through the different settings.

VOX OFF/ ON: VOX function off / on

VOX GAIN: voice control gain setting (recommended setting is 50)

ANTI-VOX: echo suppression settings for the hand microphone in conjunction with the receiver speaker (recommended setting is 50)

VOX DLY: VOX hang time (default is 0)

- The VOX voice-controlled TX function can be used with both the hand microphone and the line input. You can simply connect audio from your PC's audio output and input lines to the rear ACC connector (or via the CE-19 accessory) and the VOX function will handle switching the radio between TX and RX automatically without needing to have a transmit "PTT" control line.



Setting Line Level Input into ACC Connector

When the AF-IN pin of the ACC interface is used for line input audio, you need to set the appropriate input volume in the "AUX IN Volume" option in the system menu. Set it at a mid-level value first. Then watch the TX power output and adjust your incoming audio from the PC. (using the PC's sound card output volume level control). Remember that for digital data modes (e.g. FT8) you want to set the radio at about 50% of full output so as not to overheat the radio or distort the signal. With a good antenna, 10W average output is sufficient for most digital mode communications. Keep a check on the temperature of the radio when you operate digital modes (and in general). Your ambient temperature might be 55F (12C) or 105F(40C) and this has a major effect on heat build-up. If the radio becomes very hot, you'll need to reduce power and give it time to cool-down. The radio's transmit section is very conservatively designed, but any radio can suffer from over-temperature under certain challenging operating conditions, such as the long 100% duty cycle periods of some digital modes.

Automatic Antenna Tuner

The G90/S has an efficient ATU to help you quickly match many kinds of antennas effectively.

1. Press the [TUNE] button in momentarily to bring the built-in antenna tuner into circuit. An antenna icon will appear at the top of screen.
2. To initiate an antenna "tune", hold the [TUNE] button for > 2 sec.

NOTE:

1. Pressing the (TUNE) button momentarily will show the antenna icon on the screen. This indicates that antenna tuner is in-line. If you need to tell the ATU to tune (new antenna, different frequency) hold the Tune button in for >2 sec." Tuning" will be displayed.
2. After the antenna is "tuned" (actually it is matched to the radio rather than "tuned"), leave the ATU ON so that it will provide the antenna match during operation.
3. If the "SWR" icon is displayed at the top of the screen and flashes once while transmitting – even after tuning, this indicates that the standing-wave of current antenna is too high and while another tuning action may be attempted, this could also indicate a faulty antenna.



4. When performing a tuning action via a long press of the Tune button, the tuner will go through its complete matching procedure and then return to receive mode after completion. (this may take several seconds)
5. When your antenna is physically very close (e.g. a vertical mobile antenna), strong radio frequency interference may be caused to the radio or electronic equipment nearby. If this happens try to locate the antenna further away.

Standing-Wave Scanner SWR

The G90/S has an **antenna SWR scanning function**. It can scan the standing-wave values of the connected antenna to help you adjust the antenna.

1. A long press of the [POW] button enables the standing-wave scanning function. It will scan the SWR of the antenna currently connected.
2. Press the button below the BW label on the screen momentarily to switch the frequency step of the scan.
3. At the bottom of the screen, the frequency of the lowest SWR point of the scanned standing wave is indicated. This is where the antenna is “resonant”.
4. Press the button below the FAST/ SLOW label on the screen momentarily to select the scanning speed.
5. Press the button below the QUIT label on the screen to exit the standing-wave scanner.

Corresponding Location of Keys VS. Screen Labels

(They are not perfectly aligned vertically)

BW: Corresponds to the [PRE] key

FAST: Corresponds to the [NB] key

QUIT: Corresponds to the [VN] key

- The SWR scanner is for quick reference only and is not meant to replace a dedicated antenna analyzer. It is a very useful tool for trimming and adjusting an antenna when operating portable or for spotting a faulty antenna.



Fine Tuning of Received Frequency (RIT)

Sometimes a station will come back off-frequency. Rather than tuning your frequency to the other station's it's better to add some "Receiver Incremental Tuning" to correct the other station's frequency.



Operation method:

1. A long press of the main tuning knob enters the RIT adjustment interface.
 2. Rotate the main knob left or right to adjust the RIT value. The adjustment range is $\pm 500\text{Hz}$.
- When RIT is no longer required, reset the RIT value to 0.

Line Input and Output

The G90/S has an external line input interface. When the G90/S is used for data communication in conjunction with a computer or an external modem, the correct signal input options need to be selected.

1. Feed the external audio signal into the corresponding pin of the ACC port (see the interface description on page 10).
2. Select the LINE input option under the INPUT setting reached by pressing the [FUNC] once and [POW] button twice.
3. In the system menu, select: AUX IN VOLUM to set the appropriate input volume level. (see below)

Operation of Line Output

In the system menu, select: AUX OUT VOLUM and set it to the appropriate output level. Your computer software package will have a meter showing best input levels.

- When using digital communications via the ACC port, the TX audio drive level should be capable of 200mv.



- The audio output level from the computer to the radio should be adjusted so that the ALC value displayed on the screen is between 30 and 85. The lower the ALC value, the better. You should set the radio at your required output level and then adjust the PC's sound card output so that the radio's ALC is within range. Excessively high input signal level will overload the input amplifier, resulting in modulation signal distortion. With the ALC set correctly, the TX output reading may jump around rapidly under digital modes - but average power levels will be in the correct range for a clean and effective signal. Digital modes are highly efficient and require much less TX power than other modes to make a contact.

In the system menu, the following two settings are the ones to adjust for data communications:

5	AUXIN Volum	Line input volume setting
6	AUXOUT Volum	Line output volume setting

- For digital data communications, the PC output level is adjusted together with the "Line input volume" (your TX audio) in the radio. The level of the audio input to the computer is adjusted in conjunction with the radio's "Line output volume" (received audio going to the PC). The PC settings are normally found under "Sound devices". It is best to set the radio to a mid-level value and then adjust the PC's levels to achieve correct operation. Fine tuning from that point can be done through the G90/S's menu settings.

Channel Memory Write (MW) and Clear (MC)

Basic operations:

1. While in VFO mode, set the required frequency, mode, and any other parameters you desire.
2. Press the [MW/MC] button momentarily and the CH 00 (channel number) character will appear on the screen flashing. Rotate the main tuning knob to select an empty channel. At this time, the character E will appear after the channel number, indicating that the channel is empty and can be used for storage.
3. Press the [MW/MC] button again momentarily to save the current frequency and mode information to the selected channel.



Selecting the stored memory channels:

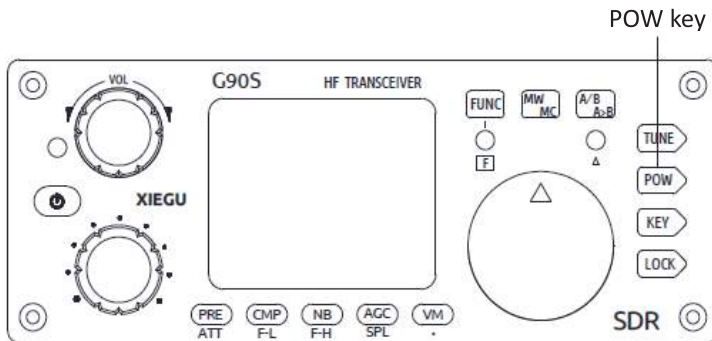
1. In VFO mode, press the [VM] button momentarily to enter channel mode.
2. Rotate the main tuning knob to switch to the required channel.

Clear channel memory:

1. In channel mode, press the [FUNC] button followed by the [MW/MC] button. The channel number indicator will start to flash in red.
2. Rotate the main tuning knob to the channel to be wiped. Press the [MW/MC] button again to clear the selected channel.

Transmitter Power Setting

1. Press the [POW] button momentarily to enter the power setting mode. The display area on the right side of the screen will display the current “Po” power output setting value in watts.
2. Rotate the main tuning knob to set the power to the desired value in steps from 1W to 20W.



- It is always good to start with reduced TX power if you are unsure of your antenna's condition or are new to the operation of your G90/S. Once you know your SWR is low and grounding is good, the radio is designed to operate at full power comfortably.



Digital (DSP) Filters

The G90/S has a built-in variable digital filter that can continuously adjust the bandwidth of the receiver's input to improve reception of the desired signal.

The G90/S has two filter adjustment modes: center frequency point mode and bandwidth mode.

1. Press the [Multi-function] knob momentarily to switch between the two filter modes.
2. When the center frequency point mode is selected: The prompt text "Cxxx" appears over the filter icon ("xxx" refers to the center frequency point value) and a green vertical line displays on the orange trapezoidal shape.
3. When the bandwidth mode is selected: The prompt text "Bxxx" appears over the filter icon ("xxx" refers to the bandwidth value) and a green vertical line displays on the both sides of orange trapezoid.
4. When either the center frequency point mode or the bandwidth mode is selected, rotating the [Multi-function] knob adjusts the values.

NOTE: Press the multi-function button in once before adjusting by turning the multi-function knob and press the multi-function knob in again once the change is complete, to store the setting. (the vertical green bars go off once the setting is stored).

How to adjust the low and high cut-off frequencies of the filter:

1. Press the [FUNC] button momentarily to enable the operation of alternate button functions.
2. Either press the [CMP/F-L] or [NB/F-H] button and rotate the main tuning knob to adjust the lower or upper cut-off frequencies of the filter. Press the [CMP/F-L] or [NB/F-H] button again momentarily to display the currently set bandwidth values in the function display area of the screen. 200/2750 is a good starting point for SSB operation.

F-L: Adjust the low-end cutoff frequency of the filter

F-H: Adjust the high-end cutoff frequency of the filter

Method to reset to the default filter parameters:

1. Press the [FUNC] button momentarily to enable the operation of the alternate button functions.



2. Long press the [CMP/F-L] or [NB/F-H] button to reset the upper or lower cutoff frequencies of the filter to their default values.

In the Center frequency mode (see above) you can move the center of the bandpass filter around the current frequency to reduce interference from adjacent signals either above or below your operating frequency.

- Properly adjusting the filter parameters can greatly improve the performance of the receiver as well as its sensitivity and signal to noise ratio.
- In CW mode, the digital filter can be made as narrow as 50Hz but there will be obvious deterioration of the resulting audio at such an extremely narrow setting. 300-500 Hz is normally ideal.

Spectrum/ Waterfall Display

The G90/S radio can display the radio spectrum and waterfall diagrams of received signals and you can quickly observe whether there is a signal on the desired frequency of operation. You can also easily identify a clear frequency to QSY (move freq.) to in case there is QRM (interference) occurring on the frequency you are currently using.

Spectrum display bandwidth is 48kHz

The spectrum signal strength value displays with an accuracy of $\pm 2\text{dB}$

The sensitivity of the spectrum display (scale) can be adjusted for the conditions of the band you are operating on. If the scale is set too high, very strong signals may have their signal peaks cut off. You may adjust the scale by doing the following:

1. Press the [FUNC] button momentarily and then the lock button, to enter the SCALE reference level setting.
 2. Rotate the main tuning knob to adjust the SCALE value until the display sensitivity is appropriate.
 3. Press the main tuning knob in momentarily to save and exit the setting screen.
- The SCALE reference values gradually increase from 1 to 10. When strong signals are observed, scale values need to be lowered. When looking at weak signals, the SCALE values can be increased. Generally, bands under 14 MHz will need less sensitive settings.



- The SCALE value in each frequency range can be set independently.

The second function (with the FUNC button activated) of the [LOCK] button is as follows:

SCALE: set the reference level setting

AVE: set the average value setting

AVE “average” values gradually increase from 1 to 10. The effect on the display is to smooth out rapid changes and provide a better representation of band activity. This setting is a matter of personal taste. It can improve usability of the spectrum display.

Data Communication

The G90/S supports all PC-generated amateur data communication modes and remote control via computer software when a PC is linked to the radio. Only simple wiring is needed to enable amateur data communications.

The appropriate transmission mode should be selected for the data mode in operation. The recommended modes for common data modes are as follows:

Data mode	Radio setting mode	* For other data modes, set the radio mode to what is commonly used for that data mode.
PSK31	USB	
RTTY	LSB	
FT8	USB	

When an amateur radio and a computer communicate using digital data communication, the computer is used as a "modem" in that it converts the signals to and from digital tones. While receiving, the audio from the signal received is sent to the computer for demodulation. When transmitting, the audio signal created by the computer is sent to the radio for transmission. Thus, the computer's audio output level effects the TX power output and ALC readings. The connections required are as follows:

Receiving: Received audio from the receiver → computer audio IN

Transmitting: The computer-generated audio signal → radio TX Audio IN



Preparation:

- For CAT command control of the radio from the PC we use the supplied USB->3.5mm plug cable. Before the first time you use the cable, download and install the cable driver from the Radioddity website. Now when the cable is plugged it, it will use this driver and not go off to search for an (incompatible) one from the Web.

NOTE: Currently the cable being supplied with the G90/S uses FTDI chips in it to convert from serial to USB. Earlier a cable using Prolific chips was supplied. You need to download the drivers related to the chipset in your cable. Unfortunately, this isn't marked on the cable, so you may have to try both driver packs. If this is a recent purchase with a blue USB plug start with the FTDI drivers. (Note if you use Linux or MAC rather than Windows, additional drivers for these operating systems are available at the FTDI website).

- Although it is possible to connect using individual audio cables, the CE-19 expansion card (optional purchase) provides convenient connections.
- Adding a few snap-on ferrite RF chokes will protect against RF getting into the audio path.

Cable Connection Steps

1. AFTER INSTALLING THE DRIVERS ON THE PC. Insert the 3.5mm plug of the SSB data cable into the communication port on the left side of the G90/S head unit **only after the radio has been turned on**.
2. Insert the 8-pin ACC cable provided with the CE-19 into the ACC port at the rear of the G90/S base unit and the other end into the corresponding port on the CE-19 (it only has one 8-pin connection).
3. Insert one end of the supplied audio cable into the "AFCON" socket on the CE-19. The other end plugs into your PC's audio input connector.

NOTE: Some PCs have separate 3.5mm audio out and audio in ports, more modern ones come with a single (4-connector) socket wired to take a smartphone type headset. The cable from the CE-19 has both send and receive audio on the three-pin plug, so depending upon your PC, some form of adapter may need to be bought or built.

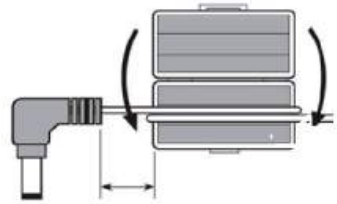
On the CE-19 side, the tip of the connector is audio out from the radio and the next (ring) connection on the stereo plug is the TX audio in. Ground is the third connection.



4. Set the G90/S to "Line input" mode (i.e. take the audio from the ACC socket rather than from the hand microphone.)
5. Set the G90/S to the appropriate TX mode for the particular digital mode you are going to use. For most digital modes, that is USB.

At this point, the wiring is complete.

- Remember to keep the PC audio (speaker) level output low and watch your ALC level when going onto transmit. Raise the PC output level until you see the ALC just start to respond...and then stop. TX power output will be lower than the power set as the radio's power output setting. This is so the signal is perfectly clean for digital operation and to avoid the radio overheating. This is normal procedure for digital modes.
- You can add clamp-on ferrite RF chokes to the USB data cable and the audio cable close to the computer if you experience any stray RF getting from the radio into the PC. For better performance, loop the wire through and then around and through the clip-on ferrite choke again - then clamp it shut. Additional wire passes through the ferrite choke improve filtering.

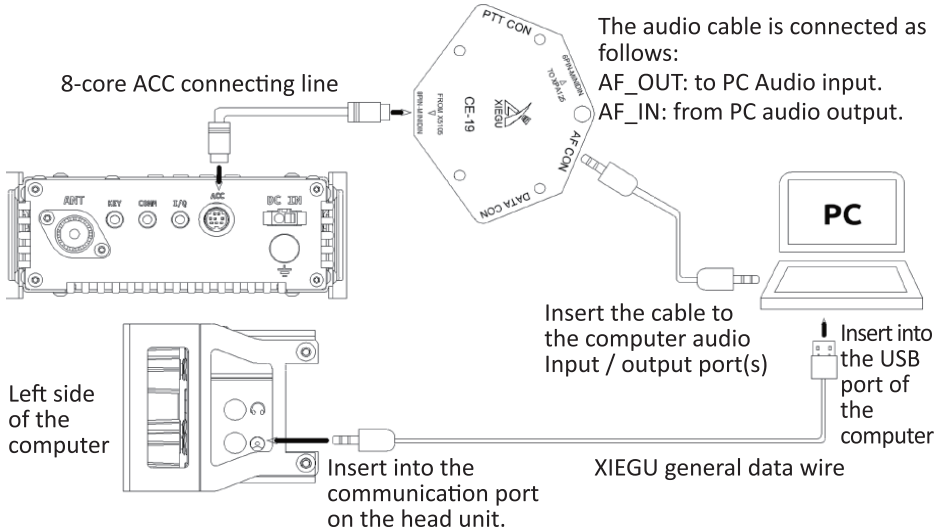


The USB-Serial port should be configured on your PC as 19200 bps, 8data bits, no parity, 1 stop bit.

WARNING! Turning the radio on with the USB-Serial cable plugged into either the 3.5mm socket in the head or main unit, can cause the radio to think you wish to update the firmware and you will have a radio that is non-operative and will have to perform a firmware update before you can use the radio again!!



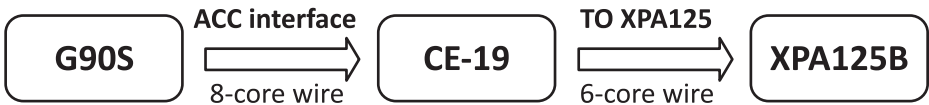
The wiring of the 3.5mm sockets are shown on the CE-19 board. The port labelled X5105 is also for the G90/S and accepts the 8-core cable from the ACC port of the radio.



Schematic Diagram of Wiring for G90/S Data Communication

Connecting the XPA125B Amplifier to the G90/S (Optional)

The G90/S connects to the XPA125B power amplifier using the CE-19 adapter. The XPA-125B's antenna tuner is rated for full power output from the amplifier (at least 100w).



Schematic Diagram of Wiring between G90 and XPA125B

Once connected, the G90/S can automatically control the band switching of the XPA125B. The transmit ALC connection is also handled via the CE-19 adapter. If the G90/S output power exceeds the maximum input power to the XPA125B, the ALC control automatically decreases the G90/S's output power to avoid over-driving the amplifier.



The output power of the G90/S should be set to be $\leq 2.5W$ to protect the amplifier. The amplifier can give full output power with very little drive on the input socket.

- The 8-pin ACC wire is included with the CE-19 kit. The 6-pin ACC wire is included with the XPA125B. A coax patch lead is required to go from the G90/Ss output port to the amplifiers input port (user supplied)

System Menu

The system menu enables a good amount of customization. Many of these are a matter of personal preference.

Operation method: Hold the [FUNC] button 1-2 sec. to enter the system menu.

The definitions of menu functions are as follows:

S/N	Menu item	Function description
1	Handle up/down	Hand microphone up/down key function setting
2	Handle F1	Hand microphone F1 key function setting
3	Handle F2	Hand microphone F2 key function setting
4	LCDBL	Screen backlight brightness setting
5	AUX IN Volum	ACC port input audio volume setting
6	AUX OUT Volum	ACC port output audio volume setting
7	RCLK Tune	Reference clock adjustment
8	Band Stack Mode	Band stack setup
9	ON/OFF Beep	ON/OFF of system beep
10	Version	Firmware version No.

Description of the labels displayed at the bottom of the screen:

PREV: previous page.

SAVE: after adjusting the system menu settings, press this key to save and exit.

EXIT: exit the system menu interface directly without saving changes.

NEXT: next parameter to be adjusted.



Use the main VFO tuning dial to change values.

Menu Item 1: Handle up/down

Function: Customize the function of [▲▼] buttons on the hand microphone.

Optional value	FREQCH+/-	Frequency/channel+/-
	BAND+/-	Band+/-
	VOLUM+/-	Volume+/-

Default: FREQCH+/-

Menu Item 2: Handle F1

Function: Customize the function of [F1] button on the hand microphone.

Possible options	PRE/ATT
	SPLT
	NB
	COMP
	AGC

Default: PRE/ATT

Menu Item 3: Handle F2

Function: Customize the function of [F2] button on the hand microphone.

Possible options	PRE/ATT
	SPLT
	NB
	COMP
	AGC

Default: SPLT

Menu Item 4: LCD BL

Function: Set the brightness of the backlit backlight

Adjustable range: 10%~100%

The larger the percentage, the higher the brightness

Default: 80%

Menu Item 5: AUX IN Volum

Function: Set the volume of ACC port input audio signal

Adjustable range: 0~15

The large the value, the greater the volume

Default: 8

**Menu Item 6: AUX OUT Volum**

Function: Set the level (volume) of ACC port output audio signal

Adjustable range: 0~15

The large the value, the greater the volume

Default: 15

Menu Item 7: RCLK Tune

Function: Adjust the reference clock of the internal frequency synthesizer. (To correct the frequency accuracy of the radio).

Adjustable range: -1000Hz~+1000Hz

Default: 0Hz

i.e.: If you are showing a consistent offset of 20Hz when you are talking to stations, you can adjust the reference frequency by 20Hz to re-calibrate.

If you are 20Hz low on your frequency display, set the adjustment to be + 20Hz.

Menu Item 8: Band Stacking Mode

Function: Set band stacking mode. When switching through bands, using the band buttons on the top of the radio or the arrow keys on the microphone, you can include or exclude the shortwave broadcast bands in the rotation.

This ONLY affects quick switching between bands – the SW broadcast bands remain receive-only. You can only transmit on the Ham bands with this radio.

Options: HAM Band Only display amateur bands

FULL Band Display all frequency bands

Default: HAM Band

Menu Item 9: ON/OFF Beep

Function: Enable/disable and the system beep at startup & shutdown.

Options: Enable/Disable

Default: Enabled

Menu Item 10: Version

Function: Display the firmware version of the head and body. e.g.

APP: V1.XX Head firmware version No.

BASE: V1.XX Body firmware version No.



Factory Reset

If the radio's operation becomes abnormal in some way, you can restore the radio to the original factory settings.

Operational steps:

1. Hold the FUNC button in and power up the radio to start the restoration of factory settings.
 2. Press the [PRE] button to confirm the reset. Press the [VM] button to cancel the operation.
- Default parameters can meet most operating needs. This is a good test to see if your radio is operating normally.

Computer Control Instructions

The G90/S uses a subset of the standard CiV CAT instruction set. You can remotely control the transceiver based on standard instructions or configure control instructions for other software.

Here are the tables of commands that currently work. With later firmware changes, these could be added to.

CMD	Sub-CMD	DATA	Description
0x02	-	-	Get Frequency range of receiver. Returned as Freq-Freq in BCD.
0x03	-	see table 2-1	Get active VFO frequency.
0x04	-	see table2-2	Get active mode.
0x05	-	see table2-1	Set active VFO frequency.
0x06 or 0x01	-	see table2-2	Set active mode. (06 preferred over 01 as it updates the displayed mode on the radio).
0x07	0x00	-	Select VFO-A
	0x01	-	Select VFO-B
	0xB0	-	Swap selected VFO (A->B or B->A).



CMD	Sub-CMD	DATA	Description
0x0F	0x00	-	Turn split operation off.
	0x01	-	Turn split operation on.
0x11	-	-	Get attenuator state (00 = off, 0C = on).
	0x00	-	Turn attenuator off.
	0x01	-	Turn attenuator on.
	anything else	-	Toggle attenuator state.
0x14	0x01	-	Get receiver audio volume (in BCD format 0-255).
	0x03	-	Get squelch level (returns 1 and 2 char results - not reversed).
	0x0A	-	Get Tx power setting (returns 1 and 2 char results - not reversed).
	0x0C	-	Get CW keyer speed setting.
	anything else	-	Always returns 255 in BCD format.
	0x01	BCD code	Set audio level (range 0-255 in BCD).
0x15	0x03	BCD code	Set squelch level.
	0x0A	BCD code	Set Tx power setting.
	0x0C	BCD code	Set CW keyer speed.
	-	-	All below return a BCD code of 0-255 that equates to 0-100%.
	0x01	-	Get SQL State - (i.e. ON or OFF) not implemented - rather the same SQL-level response as from command 1403 is returned.
	0x02	-	Get S-Meter reading.
	0x11	-	Get output RF power meter reading
	anything else	-	Always returns 255 in BCD format.



CMD	Sub-CMD	DATA	Description	
0x16	0x02	-	Get Preamp state (On=1 Off=0).	
	0x12	-	Get AGC mode (off=0, fast=1, slow=2, auto=3).	
	0x22	-	Get Noise Blanker switch state (0=off, 1=on).	
	0x50	-	Get key lock status (1=locked, 0=free).	
	0x02	0x00		Turn preamp off.
		0x01 or 0x02		Turn preamp on.
	0x12	0x00		Turn AGC off.
		0x01		Set AGC to fast.
		0x02		Set AGC to slow.
		0x03		Set AGC to auto.
	0x22	0x00		Turn noise blanker off.
		0x01		Turn noise blanker on.
	0x50	0x00		Unlock keys and knobs on radio.
		0x01		Lock key and knobs on radio.
0x1C	0x00	-	Get state of PTT switch (1= on transmit, 0= on receive).	
	0x00	0x00	Release the PTT switch (go to receive).	
		0x01	Close the PTT switch (go to transmit).	
	0x01	-		Get state of antenna tuner (returns 00 (off), 01 (on) or 02 (tuning)).
		0x00		Turn internal antenna tuner off.
		0x01		Turn internal antenna tuner on.
		0x02		Perform automatic tune of antenna using internal tuner.



BCD frequency format		
Byte 0	D(7:4)	10Hz
	D(3:0)	1Hz
Byte 1	D(7:4)	1kHz
	D(3:0)	100Hz
Byte 2	D(7:4)	100kHz
	D(3:0)	10kHz
Byte 3	D(7:4)	10MHz
	D(3:0)	1MHz
Byte 4	D(7:4)	1GHz
	D(3:0)	100MHz

Data	Mode	Comments	
0x00	0x02	LSB	Notes: 1. The second byte (bandwidth) has effect only on certain modes and without it, the command is rejected. 2. NFM support is dependant upon the firmware level in the G90 and while the current mode on the G90 will be reported correctly, if mode is set to FM set over CAT the radio goes into AM mode not FM.
0x01	0x02	USB	
0x02	0x03	AM	
0x03	0x01	CW	
0x05	0x03	NFM	
0x07	0x01	CWR	

Although the G90 connector looks the same as the ICOM Ci-V connector, there is a difference – the ICOM® connector is a 3.5mm mono connector and uses one wire for both Tx and Rx data. The XIEGU connector is a stereo plug with Rx and Tx data on separate rings of the plug.

Wave Band Voltage Data

The ACC socket contains a “BAND” connection which indicates which band is selected by outputting a different voltage for each band. This voltage can be used to control peripherals that require automatic band switching.

Wave band	Voltage	Wave band	Voltage	Wave band	Voltage	Wave band	Voltage
1.8MHz	230mV	7MHz	920mV	18MHz	1610mV	28MHz	2300mV
3.5MHz	460mV	10MHz	1150mV	21MHz	1840mV	/	/
5.0MHz	690mV	14MHz	1380mV	24MHz	2070mV	/	/



Firmware Updates

Xiegu regularly releases firmware updates for the G90/S. Please go to radioddity.com and follow the Support link. All information for updating your G90/S will be there. The USB cable for performing updates is included with the G90/S. Be sure to install the cable driver from the Radioddity website on your PC before inserting the USB cable into your PC.

WARNING! Turning the radio on with the USB-Serial cable plugged into either the 3.5mm socket in the head or main unit, can cause the radio to think you wish to update the firmware and you will have a radio that is non-operative and will have to perform a firmware update before you can use the radio again!!

Here is a list of the most recent improvements:

What's new in 1.78b01 (20th January 2022)

This is an update to both the Main Unit and the Display Unit

File: G90_MainUnit_FW_V1.78b01

SHA-256:

```
CDAB25C6EEAA9FFF9C9D5C39A2A965F163888DD7913C40FCE75CC913545E4C9A
```

1. Fine tuning of AGC algorithm to improve audio quality
2. Fix some issues of ALC algorithm
 - Tx power indicated more accurately
 - Fix the issue that ATU inaccurate or fails to tune due to the instability of ALC algorithm
3. AM Tx power equal to set power
4. Display ALC level range as 0-100,
Tips:
 - If ALC level is 0: you're over driving, reduce the input signal level.
 - If ALC level is 100: you're under driving, increase input signal level.
 - When doing Digi-modes, the audio baseband signals are almost of a constant amplitude, adjust the soundcard volume to set ALC level between 20 and 80 to get good linearity.
5. Fixed a built-in keyer bug (had the chance of losing dot/dash when performing squeeze operation).



File: G90_Dispatch_FW_V1.78b01

SHA-256:

79B20BD5F6E4705C4EEDB735A16777C1FF5F4D25B1BED088A8FBBAC052D1
DC8E

1. Add CI-V command for ATU operation

What's new in 1.78b (31st December 2021)

This is an update only to the Main Unit - the Display Unit firmware should have v 1.77b from March 2021 loaded.

- Added the receiving audio Modification filter to improve the sound quality and suppress high-frequency noise components.
- Improved the AGC algorithm to eliminate the spike noise caused by it.
- Improved the granularity of volume adjustment, the volume value of 0-26 is increased in steps of 1dB, and the volume value of 27-36 are increased in steps of 2dB.
- The updated version numbers should be as follows (check item 10 in the system menu):

BASE: 1.78

Dec 31 2021,11:59:24

APP: 1.77

Mar 21 2021,15:31:07

What's new in 1.7.7b (21 March 2021)

1. Improved AGC algorithm
 - 1.1 Improved the isolation of close to channels (increased by about 30dB).
 - 1.2 Eliminated the impact noise of the speaker when switching between receiving and transmitting.
2. When connected to GSOC, all sounds in CW mode will be played by the G90/S speakers. If the modem function is turned on, the sounds will be played via the GSOC.

Compatible with GD MCU and ST MCU

Note: G90 after the product serial number X04G211600001 must use the



firmware version after V1.77 (including 1.77V), if it is updated to the firmware version before 1.77V, it may not work normally.

What's new in 1.7.5

1. New system menu operation logic, change system menu item by pressing BAND Up/Down key (Equivalent to press PREV/NEXT)
2. New Multi-Function Knob operation logic
 - Press and hold Multi-Function Knob to enter menu
 - Rotate Multi-Function Knob to choose desired function
 - Press Multi-Function Knob to save and exit menu
3. New filter Center/BW operation logic
4. Narrow FM mode is available but just for testing
5. Add RF GAIN to Multi-Function Knob function list
6. Lower CW Tone volume (-15dB lower than the original level)
7. Set Narrow FM modulation frequency deviation to about +/-3.5kHz
8. Add Narrow FM SQL

What's new in 1.7.4

1. Fixed the problem that MIC Gain is relatively high
2. Added auto FFT scale
3. Added background VFO frequency display function under channel mode
4. Widened the maximum bandwidth of CW filter
5. Optimized the filter bandwidth/center frequency point adjustment and CW Tone adjustment range under CW mode
 - If CW Tone is adjusted under CW or CWR mode, the range of CW Tone is the upper and lower limits of filter under current mode
 - If CW Tone is not adjusted under CW or CWR mode, the range of CW Tone shall be within the upper and lower limits of filter under CW and CWR mode
6. Changed RF GAIN to directly act on receiving channel gain Adjustment range: 1~100% (default: 50%), corresponding gain (on the basis of receiving channel gain): -19.6~+20dB, step=0.4dB
 - Note: RF GAIN will influence the value of Table S and FFT



7. Added microphone filter of SSB mode to attenuate partial low frequency component of microphone signal and improve emission efficiency
8. Changed the color of lines in frequency spectrum picture into green and fill color into semitransparent green
9. Optimized the encoder to prevent it from interference or impulse as the first one
10. Optimized stack and enhanced the stability
11. Optimized the control characteristics of AGC and ALC
12. Fixed the bug of channel storage function
13. Fixed the spectrum display bug during emission
14. Fixed the bug of standing wave detection threshold
15. Fixed the problem of interrupted voice during low power emission.
Updated version number can be checked in 10th item of system menu. It takes about 3s to read version information once entering this item)

What's new in 1.7.3

1. Rotate encoder driver is optimized, smoother and less loss of step
2. Total RF GAIN=1/4 RF GAIN setting when AGC is off, prevent sudden volume increase
3. Rx volume step is optimized
4. Lower the MIC GAIN, prevent picking up too much background noise

What's new in 1.7.2 (experimental version)

1. CW timing is optimized, solved the issue of randomly losing DOT/DASH.
2. T/R switch timing is optimized, faster switching time ($t \leq 53\text{ms}$).
3. Add ALC meter, display below the TX power meter when TXing. It is mainly for digital mode, to get the good linearity. adjust driving level or Line IN volume to make the ALC meter value within 30~90. Max level of Line IN should not be more than 600mVp-p, or it will overload the input amplifier.
4. PO meter is optimized, more accurate.
5. Rotate encoder driver is optimized, less losing of steps.
6. ACC LINE OUT is optimized, main volume will not affect its output level anymore.



7. ACC Band Voltage switching output is optimized, solved the issue of wrong voltage for 12m band.
8. TS max digit change from 10k to 100k when pushing the main knob.
9. RIT function added: Press and hold main knob to activate.

What's new in 1.7.1

1. RF Gain Control: After a long press of the AGC button. Rotate the main VFO knob to change the RF gain (this does not affect the S meter or FFT scales).
2. DSP Filter: A momentary press of the multi-function knob allows setting of the DSP center frequency and the bandwidth of the filter.
3. FFT Averaging: Pressing the FUNC button and then the LOCK button opens the setting of the averaging function. Adjust it to your personal preference.

NOTE:

The G90/S is dealer modifiable for use on the US MARS required transmit frequency ranges.

Your antenna will have a great impact on the quality of your communications. Many simple wire antennas offer excellent performance for field operations.

Copyright Statement

All Rights Reserved, 2022

Chongqing Xiegu Technology Co., Ltd. reserves all rights of the manual. All parts of the manual shall not be copied without permission.

1010160204-C



Thank You for Shopping at Radioddity!
FIND TUTORIALS, SUPPORT AND MORE